

Comprehensive Solutions for Non Destructive Testing



Ultrasonic Thickness Gauges



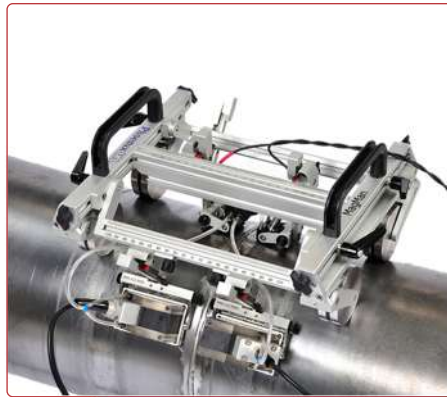
Ultrasonic Flaw Detectors



TOFD & PAUT Equipments



PA Pobes



Scanners



Pulse Receiver



Applus RTD Probes



Immersion Scanners



EMAT Solutions



Portable & Stationary X- Ray Machines



CR & DR Systems



Customized X-Ray Systems



Videoscope



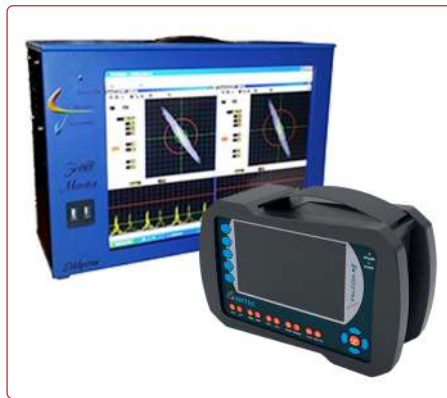
Conductivity Meter



Ethercheck Flaw Detector



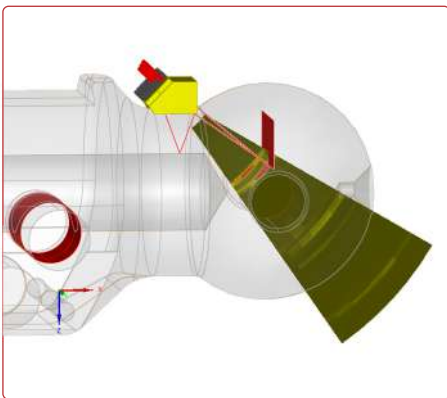
Bond Tester



Advanced ECT Equipment



Pulsed Eddy Current Equipment



Simulation Software(CIVA)



Woodpecker - Tap Tester



Portable Hardness Testers



Ferrite Meter



Flaw Kits



Wire Rope Testers